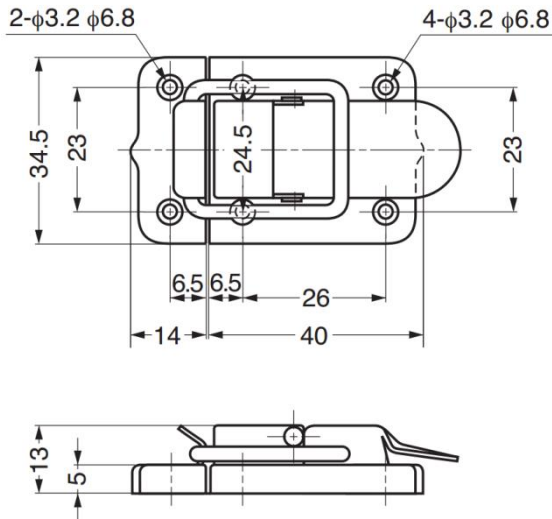


GP3 Draw Latch

Material

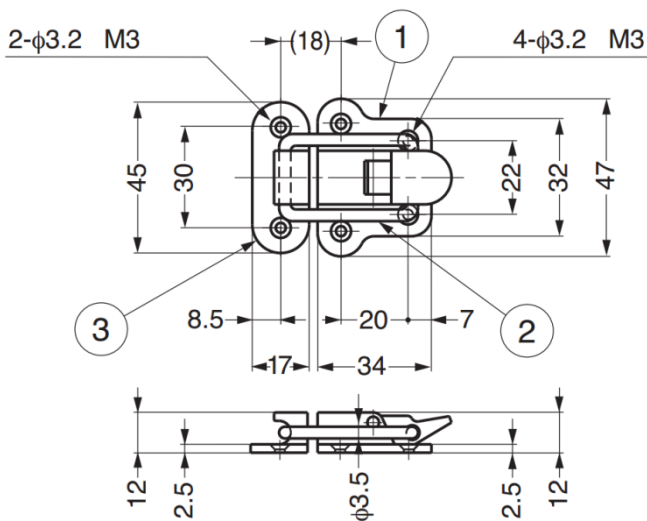
- Steel, nickel finish



Part No.

GP3

GP3-10N Draw Latch



Dimensions shown in case of clamping force "0".

No.	Part Name	Material	Finish
①	Body	Zinc Alloy	Chrome
②	Hook	Stainless Steel(SUS304)	Plain
③	Counterplate	Zinc Alloy	Chrome

Part No.	Tension Force	
GP3-10N	147 N	15 kg